



## THE PERFECT COMPACT JETTING TANK WASHER

- **No Ball Bearings**
- **Low Flow**
- **External Gears**
- **Powerful Jets**
- **Reduced Contamination**
- **Reduced Water, Chemical & Effluent Costs**
- **Non Blocking Design**
- **Reduced Cleaning Time**

### Versatile & Unique

The Monarc's simple and effective drive mechanism ensures low maintenance with a long life. The unique external non blocking gears can be easily checked with a quick visual inspection, reducing the need to remove the unit from the tank. The compact design means the unit can be installed in small vessels that require powerful cleaning, yet where larger jetting units would not fit. The Monarc offers a very powerful compact cleaning solution.

### Applications

The Monarc is ideal for replacing fixed or rotating spray balls where an powerful impingement clean is required. The high energy, high impact jets provide very effective impingement up to three metres, meaning a single unit can clean vessels up to six metres in diameter. Compact in design, effective in performance, they meet all the essential FDA material requirements and are also available in ATEX exempt form. This makes the units highly suitable for the pharmaceutical, biotech, food, beverage and other hygiene conscious industries.

### Operation

Wash fluid drives a simple rotating turbine, which drives the rotating gears. All the wash fluid exits the unit through the nozzles. The simple reaction drive absorbs very little energy from the wash fluid, providing powerful jets with a minimum amount of wash fluid. The typical full cycle time is 3 to 5 minutes delivering optimum performance in a short timescale.



**Breconcherry**  
SellersClean



Breconcherry Limited,  
Lynden House  
Lynden Business Park  
Ledbury, Herefordshire  
HR8 2DJ, UK

Tel: +44 (0)1531 632476  
Fax: +44 (0)1531 633839  
E-mail: CIP@breconcherry.com



We reserve the right to change specification without notice. Whilst we endeavour to provide accurate up to date information, all information is provided as a guide only.

“Breconcherry”, “Chemidisc” are internationally registered trade marks of Breconcherry Limited.  
Copyright © Breconcherry Limited 1999

## Maintenance & Inspection

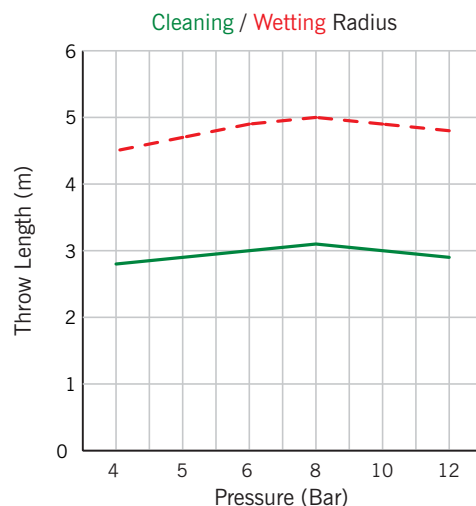
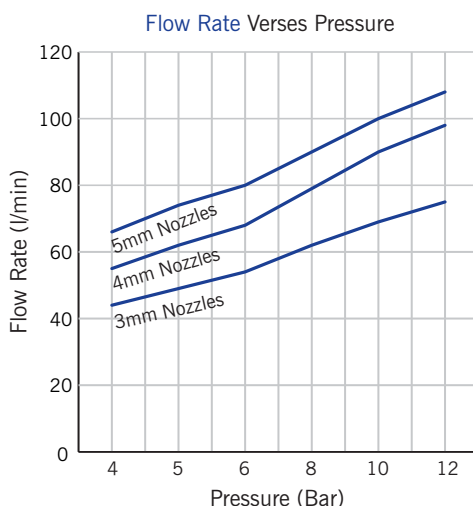
The low wear design requires minimal maintenance. Any spare parts, technical assistance or repair facilities required can be obtained through the global Breconcherry distributor network. As with all mechanical devices, it is recommended that the unit be regularly inspected for correct operation.

## Manhole Opening

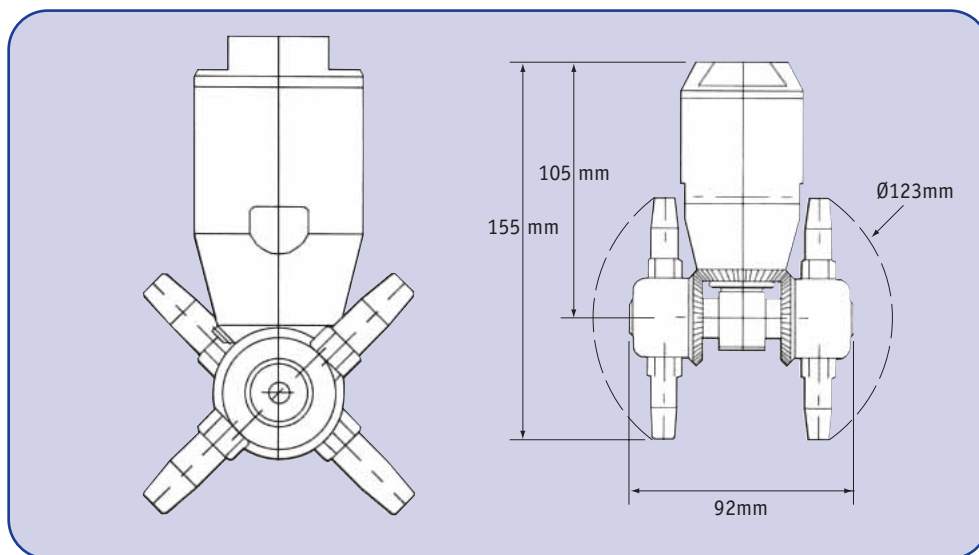
The minimum manhole/flange opening size required for unit insertion is 110mm/4.5”.

## Technical Data

<b>Material of Construction:</b>	Stainless Steel 316/316L, PTFE, C-PTFE, PEEK, Hastelloy
<b>Max. Operating Temperature:</b>	85°C
<b>Max. Ambient Temperature:</b>	140°C
<b>Standard Connection:</b>	3/4” BSP/NPT Female
<b>Nozzle Characteristics:</b>	4 Nozzle, 360° Spray Pattern. 3mm, 4mm and 5mm nozzles available.
<b>Weight:</b>	1.6 kg



## General Arrangement Drawing



For optimal efficiency use a pre-filter or strainer to prevent particulate clogging.

